

Agri+Fab[™]

OWNERS MANUAL

**Model No.
45-0382
45-0405**



**125 LB. PUSH
BROADCAST SPREADER**

CAUTION:
Read Rules for
Safe Operation
and Instructions
Carefully

- Safety
- Assembly
- Operation
- Maintenance
- Parts

SpeedEPart *the fastest way to purchase parts* www.speedepart.com

RULES FOR SAFE OPERATION

The following precautions are suggested. This broadcast spreader is designed, engineered and tested to offer reasonably safe and effective service, provided it is operated in strict accordance with these instructions. Failure to do so may result in personal injury. Always observe the rules of safe operation.

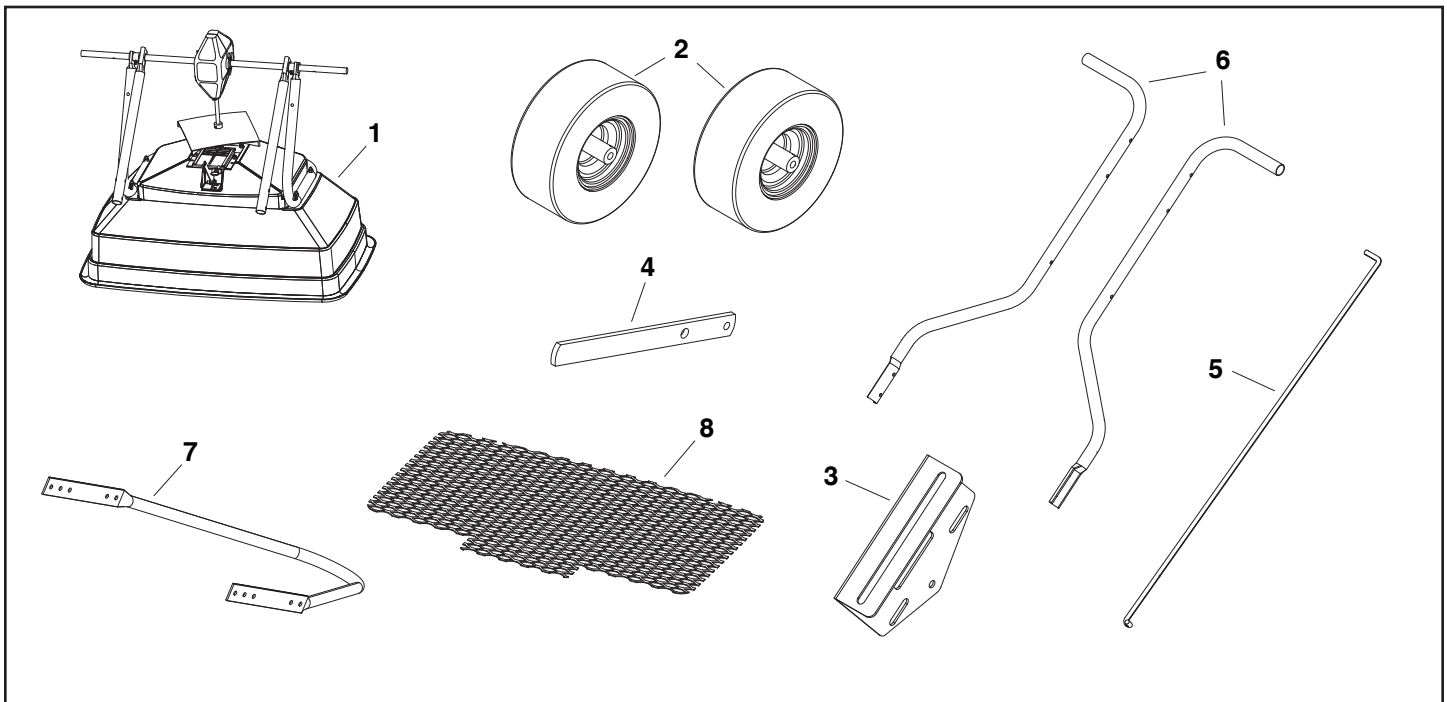


LOOK FOR THIS SYMBOL TO POINT OUT IMPORTANT SAFETY PRECAUTIONS. IT MEANS — ATTENTION! BECOME ALERT! YOUR SAFETY IS INVOLVED.

1. Do not allow anyone to operate the broadcast spreader without proper instructions.
2. Do not permit children to operate the broadcast spreader.
3. Wear eye and hand protection when handling and when applying lawn or garden chemicals.
4. Read the chemical label instructions and cautions for handling and applying the chemicals purchased for spreading.
5. Keep all nuts, bolts and screws tight to be sure equipment is in safe working condition.
6. Follow maintenance and lubrication instructions as outlined in this manual.

CARTON CONTENTS

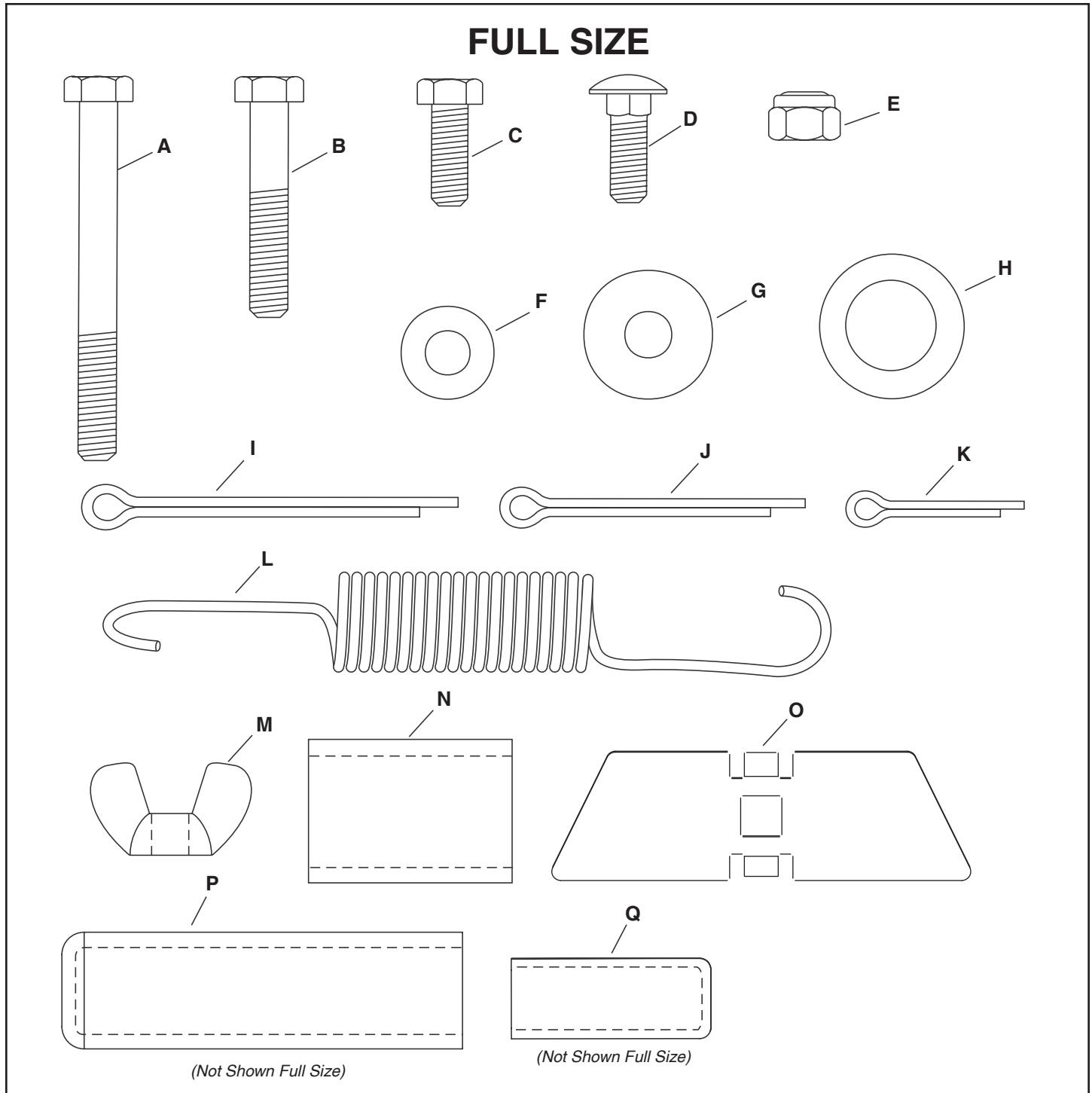
LOOSE PARTS IN CARTON



- | | | |
|-------------------------|-----------------------|------------------------------------|
| 1. Hopper Assembly | 4. Flow Control Lever | 7. Stand |
| 2. Wheels (2) | 5. Flow Control Rod | 8. Hopper Screen |
| 3. Flow Control Bracket | 6. Upper Handle (2) | Hardware Package (Shown next page) |

HARDWARE PACKAGE CONTENTS (Shown full size except where noted)

Key	Qty.	Description	Key	Qty.	Description
A	3	Hex Bolt, 1/4-20 x 2-1/2 in. Long	I	1	Cotter Pin, 5/32 x 2 in.
B	8	Hex Bolt, 1/4-20 x 1-1/2 in. Long	J	2	Cotter Pin, 9/64 x 1-1/2 in.
C	1	Hex Bolt, 1/4-20 x 3/4 in. Long	K	1	Cotter Pin, 1/8 x 3/4 in.
D	1	Carr. Bolt, 1/4-20 x 3/4 in. Long	L	1	Spring
E	12	Nylock Nut, 1/4-20	M	1	Wing Nut, 1/4-20 Nylon
F	3	Washer, 1/4 in. SS	N	2	Spacer
G	1	Washer, Nylon	O	1	Adjustable Stop
H	6	Washer, 5/8 ID x 1 in. OD	P	2	Handle Grip
			Q	1	Flow Control Lever Grip



ASSEMBLY INSTRUCTIONS

TOOLS REQUIRED FOR ASSEMBLY

- (1) Pliers
- (2) 7/16 in. open or boxed end wrenches

1. Remove the spreader, the loose parts and the hardware package from the carton. Lay out parts and hardware and identify using the illustrations on pages 2 and 3.
2. With the spreader resting upside down on the top of the hopper, assemble a 5/8 in. flat washer, a spacer and a second 5/8 in. flat washer onto each end of the axle. See figure 1.

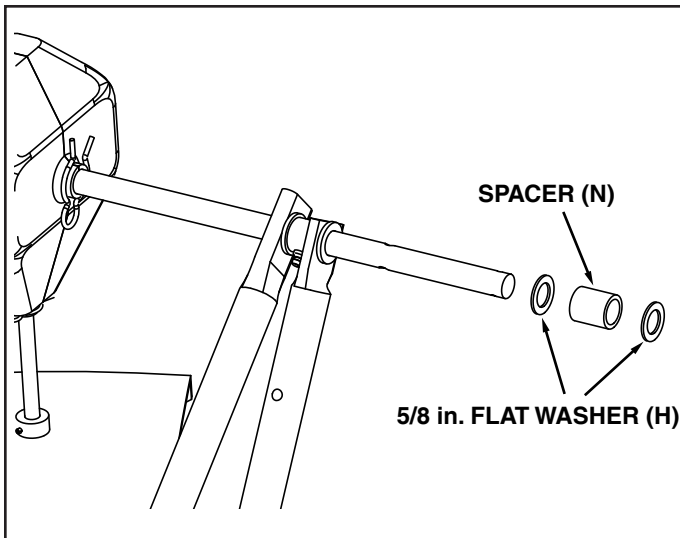


FIGURE 1

3. Place a wheel onto each end of the axle. The long end of the hub goes to the inside. See figure 2.
4. Assemble a 5/32 x 2 in. cotter pin through the hole in one wheel hub and the axle. See figure 2.
5. Place a 5/8 in. flat washer onto each end of the axle and secure with a 9/64 x 1-1/2 in. cotter pin. See figure 2.

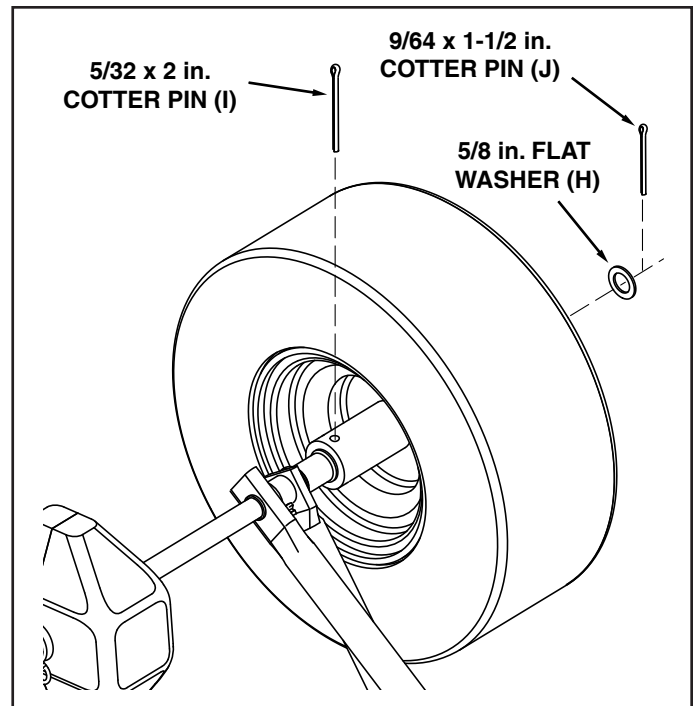


FIGURE 2

6. Install an upper handle to each lower handle using four 1/4 x 1-1/2 in. bolts and nylock nuts. Do not tighten at this time. See figure 3.

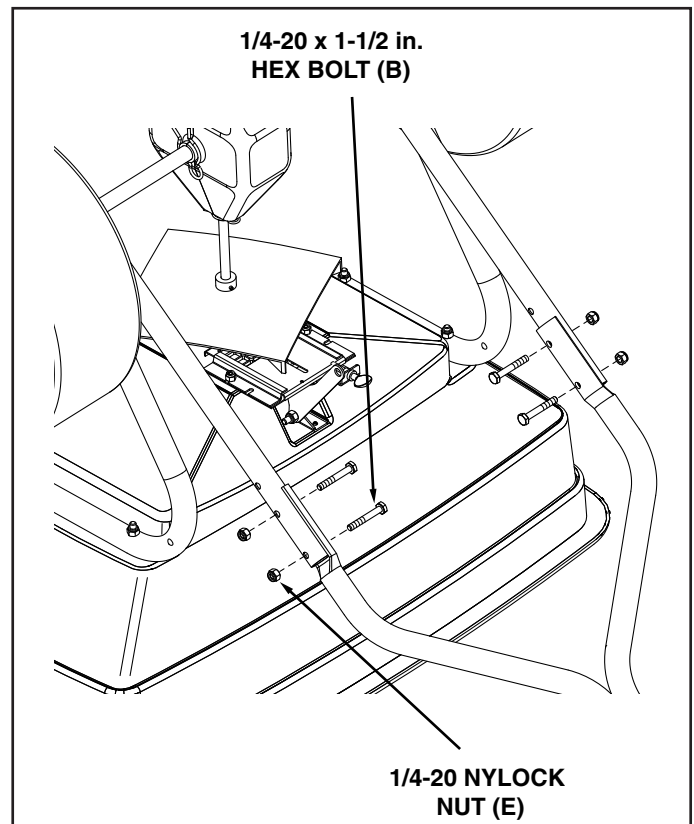


FIGURE 3

7. For the standard setup, use the holes shown in the illustration. Other hole combinations allow different handle heights and hopper angles. **Do not** use holes in stand that are farthest apart as a combination - flow gate may not close completely. Attach the stand to the hopper frame tube using two 1/4 x 1-1/2 in. bolts and nylock nuts. Attach the stand to the lower handle using two 1/4 x 1-1/2 in. bolts and nylock nuts. Tighten all four bolts to secure the stand. See figure 4.

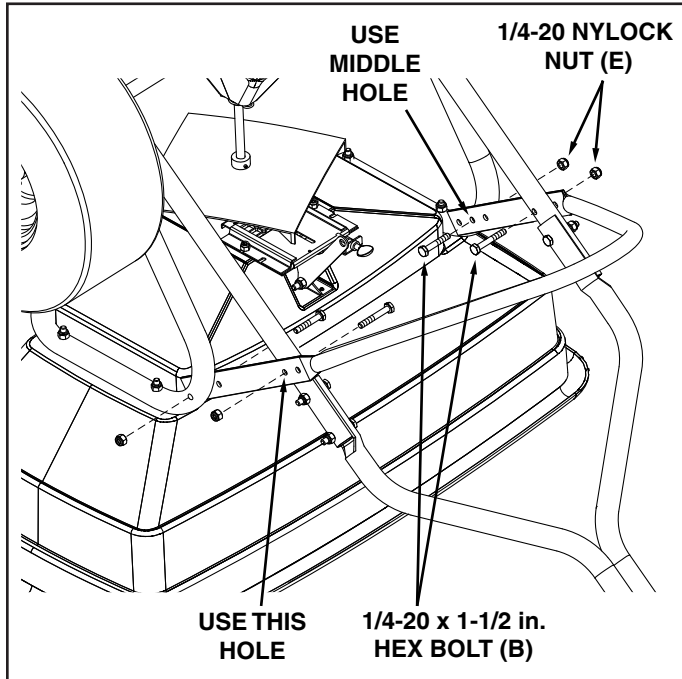


FIGURE 4

8. Attach the two upper handles together with the flow control bracket as shown using three 1/4 x 2-1/2 in. bolts and nylock nuts. **Do not tighten** two bolts in flow control bracket. **Tighten** third bolt in upper handles. See figure 5.

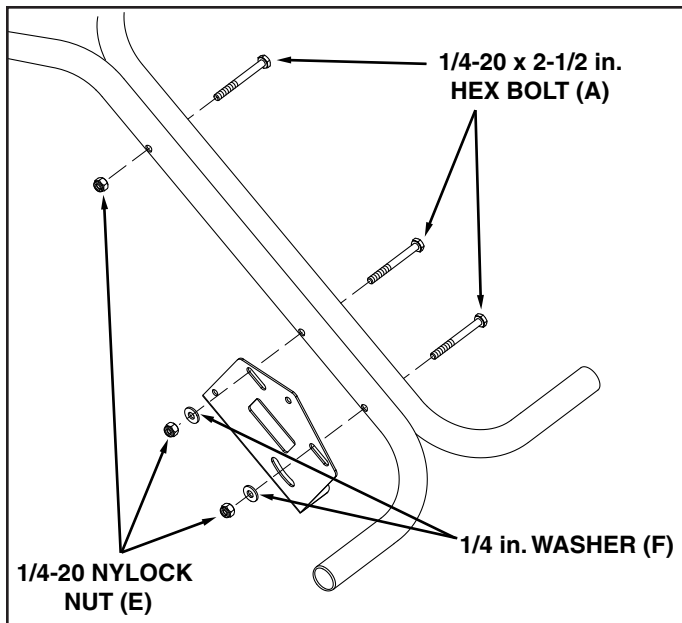


FIGURE 5

9. Install a handle grip on each handle. See figure 6.
 10. Attach the flow control lever to the bracket using one 1/4 x 3/4 in. bolt, nylon washer and nylock nut. Tighten carefully to allow the lever to move freely. Install the vinyl grip. See figure 6.

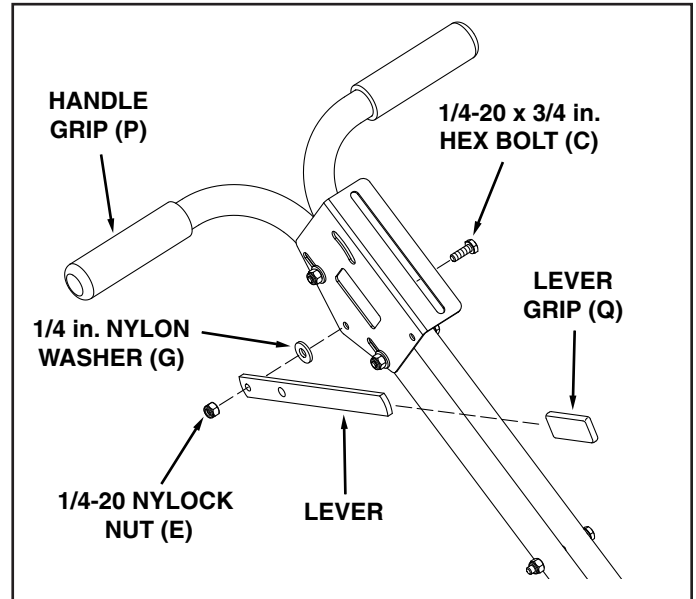


FIGURE 6

11. Attach the spring to the stainless steel pattern plate as shown. Attach the opposite end of the spring to the 1/8 in. hole in the flow control rod. Rotate the end of the rod into the flow control link. See figure 7.

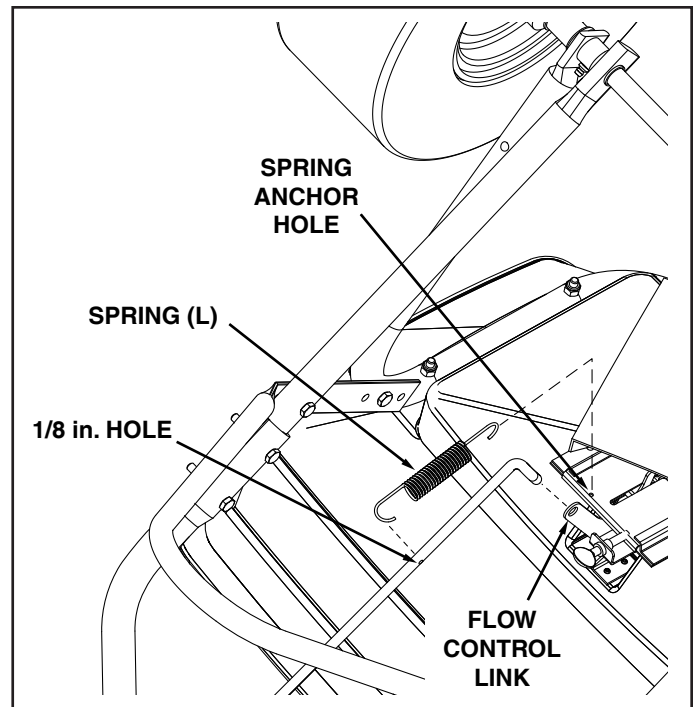


FIGURE 7

12. Insert the end of the flow control rod through the slot in the flow control mounting bracket and through the hole in the flow control lever. Secure with a 1/8 in. x 3/4 in. cotter pin. See figure 8.

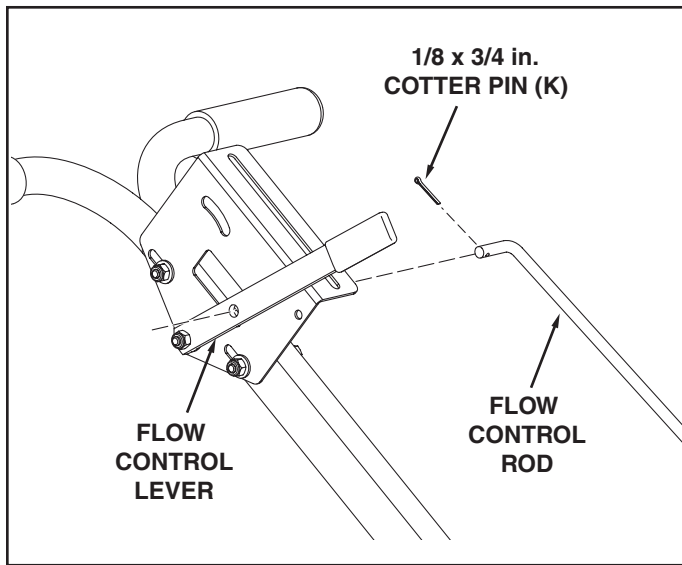


FIGURE 8

13. Install the adjustable stop on the slot in the top of the flow control mounting bracket. Secure with the 1/4 in. x 3/4 in. carriage bolt, a nylon washer, a 1/4 in. flat washer and the nylon wing nut. See figure 9.

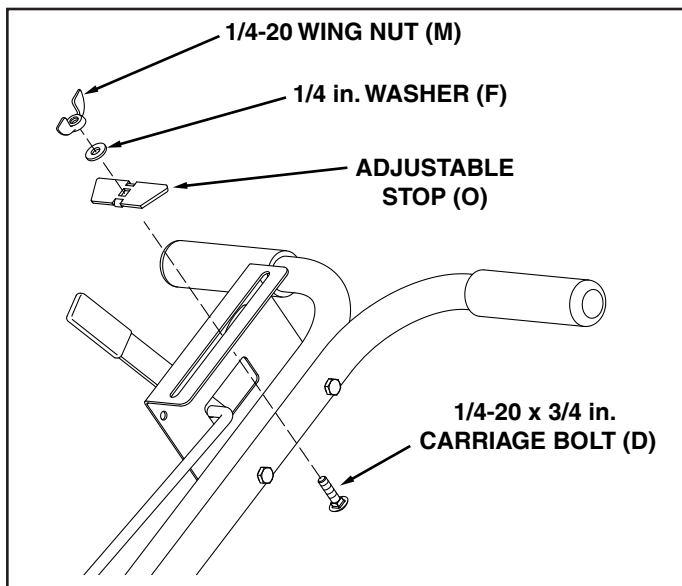


FIGURE 9

14. Adjust the position of the flow control mounting bracket (figures 10 and 11):

- Set the adjustable stop at "5." Latch the flow control lever against the stop. Verify that the closure plate has opened about halfway. See figure 10.
- If closure plate is not open halfway, adjust the position of the flow control mounting bracket until the closure plate is open about halfway at "5" and still closed when the lever is in the "OFF" position. Carefully tighten the 1/4 in. nylock nuts. Do not deform the slots in the flow control mounting bracket.
- Push the flow control lever to the "OFF" position and ensure the closure plate closes completely. See figure 11.

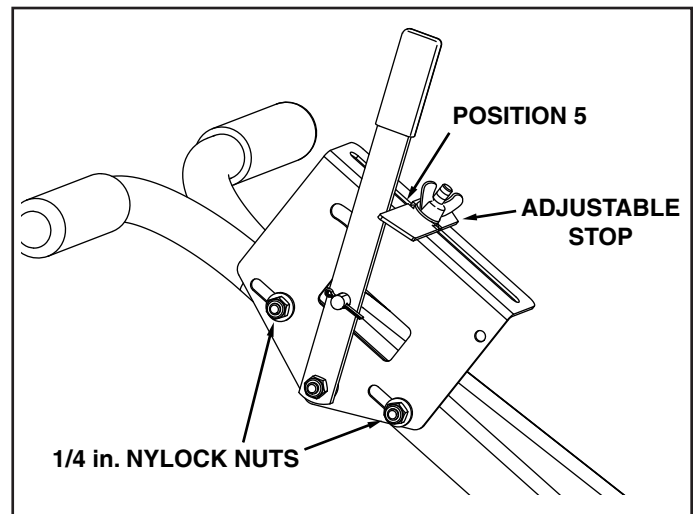


FIGURE 10

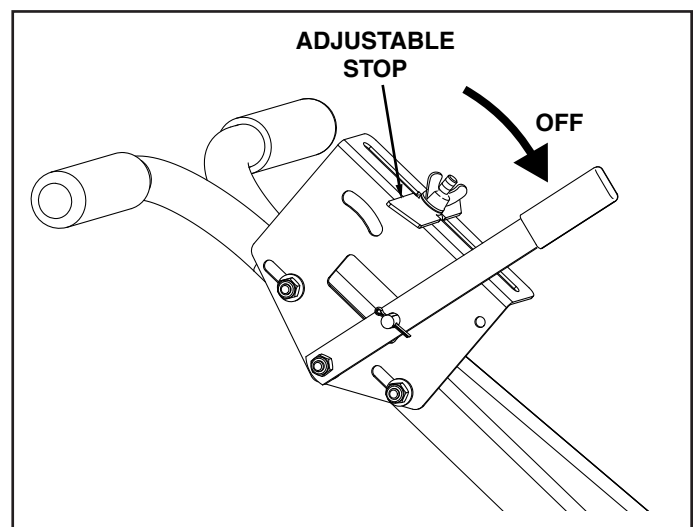


FIGURE 11

15. Place the hopper screen down into the hopper, sliding the ends into the clips in the hopper. The screen helps break up clumpy material and prevents large clumps from reaching the bottom of the hopper and clogging the opening. See figure 12.

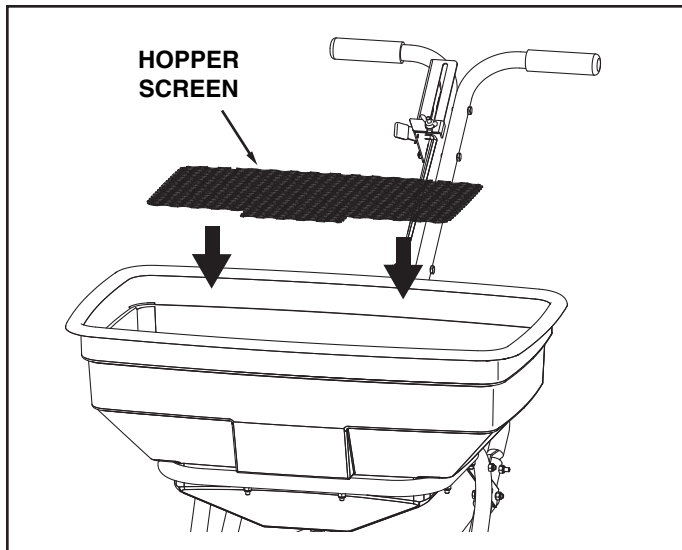


FIGURE 12

16. Lubricate the spreader following the instructions in the **MAINTENANCE** section on page 9.

OPERATION

HOW TO USE YOUR SPREADER

SETTING THE FLOW CONTROL

(Refer to figure 10 on page 6.)

1. Loosen the nylon wing nut, set the adjustable stop to the desired flow rate setting and retighten the wing nut. The higher the setting number, the wider the opening in the bottom of the hopper.
2. Refer to the *Application Chart* on page 8 and to the instructions on the fertilizer bag to select the proper flow rate setting.
3. Pull the flow control lever back and latch to the adjustable stop for the "ON" position. Unlatch and push toward the hopper for the "OFF" position.

USING THE PATTERN ADJUSTMENT PLATE

The pattern adjustment plate is used to adjust the flow of material being spread to the left or right side. The pattern adjustment plate is located between the gate opening and the spreader plate.

The adjustment of the pattern plate is sensitive and it is recommended to test your spread pattern in a small area first.

1. To adjust the flow to be heavier to the left side, tighten the thumbscrew so the plate is pushed inward. See figure 13
2. To adjust the flow to be heavier to the right side, loosen the thumbscrew so the plate is pulled outwards. See figure 13

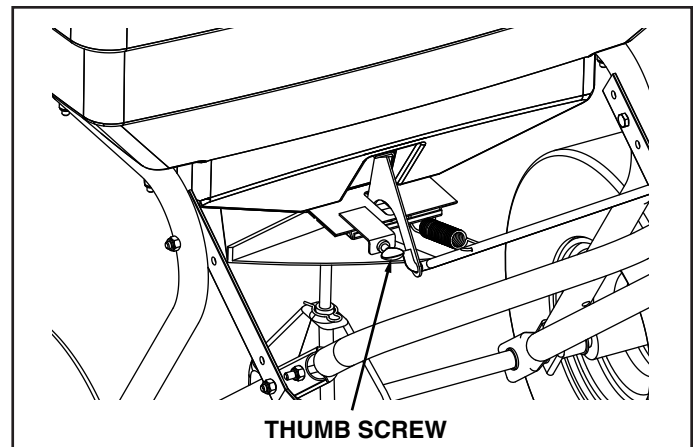


FIGURE 13

USING YOUR SPREADER

The use of powdered lawn chemicals is not recommended, due to difficulty in obtaining a satisfactory or consistent broadcast pattern.

1. Determine approximate square footage of area to be covered and estimate amount of material required.
2. Before filling the hopper, make sure the flow control lever is in the "OFF" position and the closure plate is shut.
3. Break up any lumpy fertilizer as you fill the hopper.
4. Set the adjustable stop with the flow control lever still in the "OFF" position. Refer to the *Application Chart* on page 8 and to the instructions on the fertilizer bag to select the proper flow rate setting.
5. The *Application Chart* on page 8 is calculated for light-to-heavy application at a walking speed of 3 mph, or 100 ft. in 23 seconds. A variation in speed will require an adjustment of the flow rate to maintain the same coverage. The faster you walk, the wider the broadcast width.
6. Always start the spreader in motion before opening the closure plate.
7. Always shut the closure plate before turning or stopping the spreader.
8. If fertilizer is accidentally deposited too heavily in a small area, soak the area thoroughly with a garden hose or sprinkler to prevent burning of the lawn.

9. To insure uniform coverage, make each pass so that the broadcast pattern slightly overlaps the pattern from the previous pass as shown in figure 14. The approximate broadcast widths for different materials are shown in the *Application Diagram* figure 14.
10. When broadcasting weed control fertilizers, make sure the broadcast pattern does not hit evergreen trees, flowers or shrubs.

IMPORTANT: Application rates shown in the chart are affected by humidity and by the moisture content of the material (granular and pellet). Some minor setting adjustments may be necessary to compensate for this condition.

APPLICATION DIAGRAM

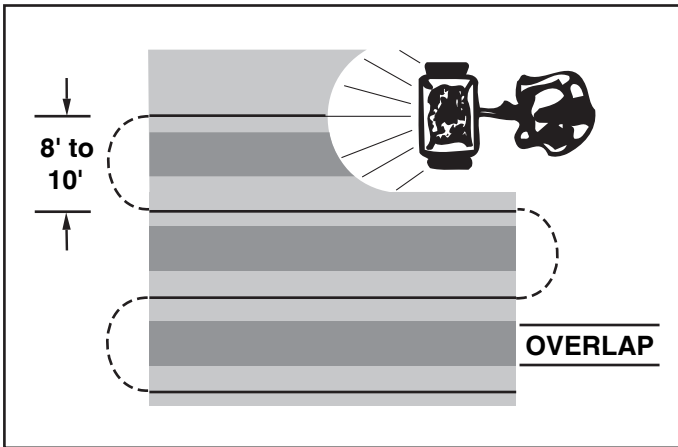


FIGURE 14

APPLICATION CHART		
MATERIAL TYPE	FLOW SETTING 3 MPH (100 FT. IN 23 SEC.)	SPREAD WIDTH IN FEET
FERTILIZER		
Powder	3-5	3-4
Granular	3-5	8-10
Pelleted	3-5	10-12
Organic	6-8	6-8
GRASS SEED		
Fine	3-4	6-7
Coarse	4-5	8-9
ICE MELTER	6-8	10-12

OPERATING SPEED - 3 MPH. (100 ft. in 23 seconds)

MAINTENANCE

CHECK FOR LOOSE FASTENERS

1. Before each use, make a thorough visual check of the spreader for any bolts and nuts which may have loosened. Retighten any loose bolts and nuts.

CHECK FOR WORN OR DAMAGED PARTS

2. Check for worn or damaged parts before each use. Repair or replace parts if necessary.

CHECK TIRE INFLATION

3. Check if tires are adequately inflated before each use. Do not inflate tires beyond maximum recommended pressure on tire.



CAUTION: DO NOT inflate tires beyond the maximum recommended pressure printed on side of tire.

CLEANING

4. Rinse inside of hopper and exterior of spreader and allow to dry before storing.

LUBRICATE (See figure 15)

5. Remove one small and two large hairpins and separate the gearbox housings.
6. Lightly apply automotive grease as needed to the sprocket and gear.
7. Oil the nylon bushings on the vertical sprocket shaft. Apply grease to the axle at least once a year, or more often as needed.
8. Oil (idler) wheel at least once a year or more often as needed.
9. Install gearbox housings and secure with hairpins.

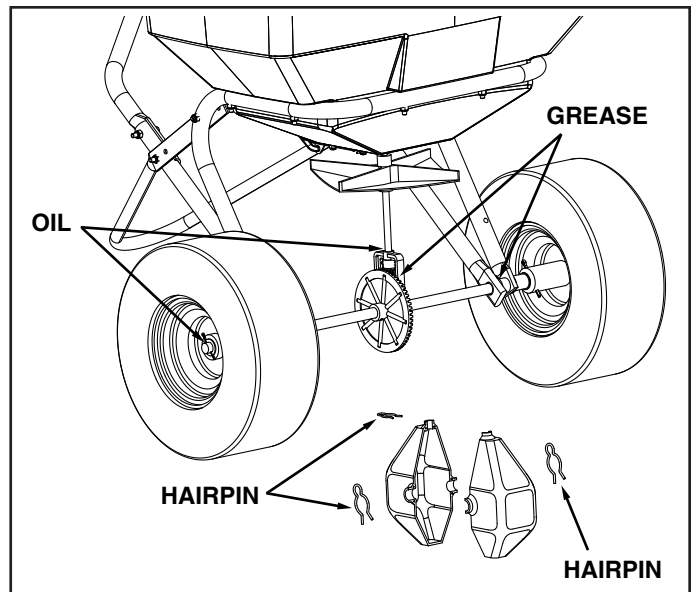


FIGURE 15

STORAGE

1. Rinse inside of hopper and exterior of spreader and allow to dry before storing.
2. Store in a clean, dry area.

SERVICE AND ADJUSTMENTS

1. If the axle and gear assembly is disassembled, mark down the positions of the parts as they are removed. The drive wheel and large gear positions, in relation to the small gear, determine which direction the spreader plate will spin. Be sure to reassemble them in their original positions. (Refer to parts exploded view on page 10). Ensure washer (Refer to item 25 on page 10 and 11) is in place when assembling the axle components. Add grease to gears.
2. If the agitator hairpin becomes damaged or worn, it can be replaced. Remove old agitator hairpin from hole in sprocket shaft and replace with new agitator hairpin. See figure 16.

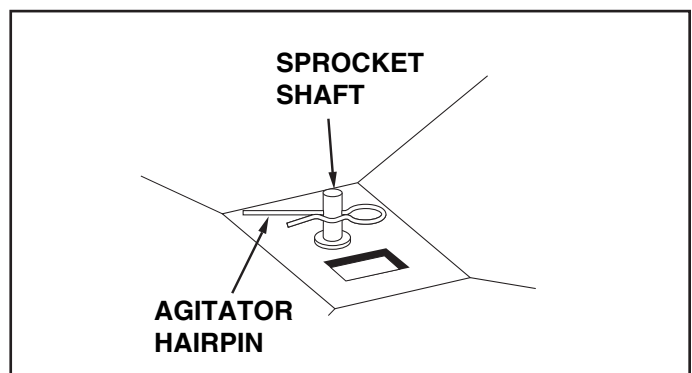
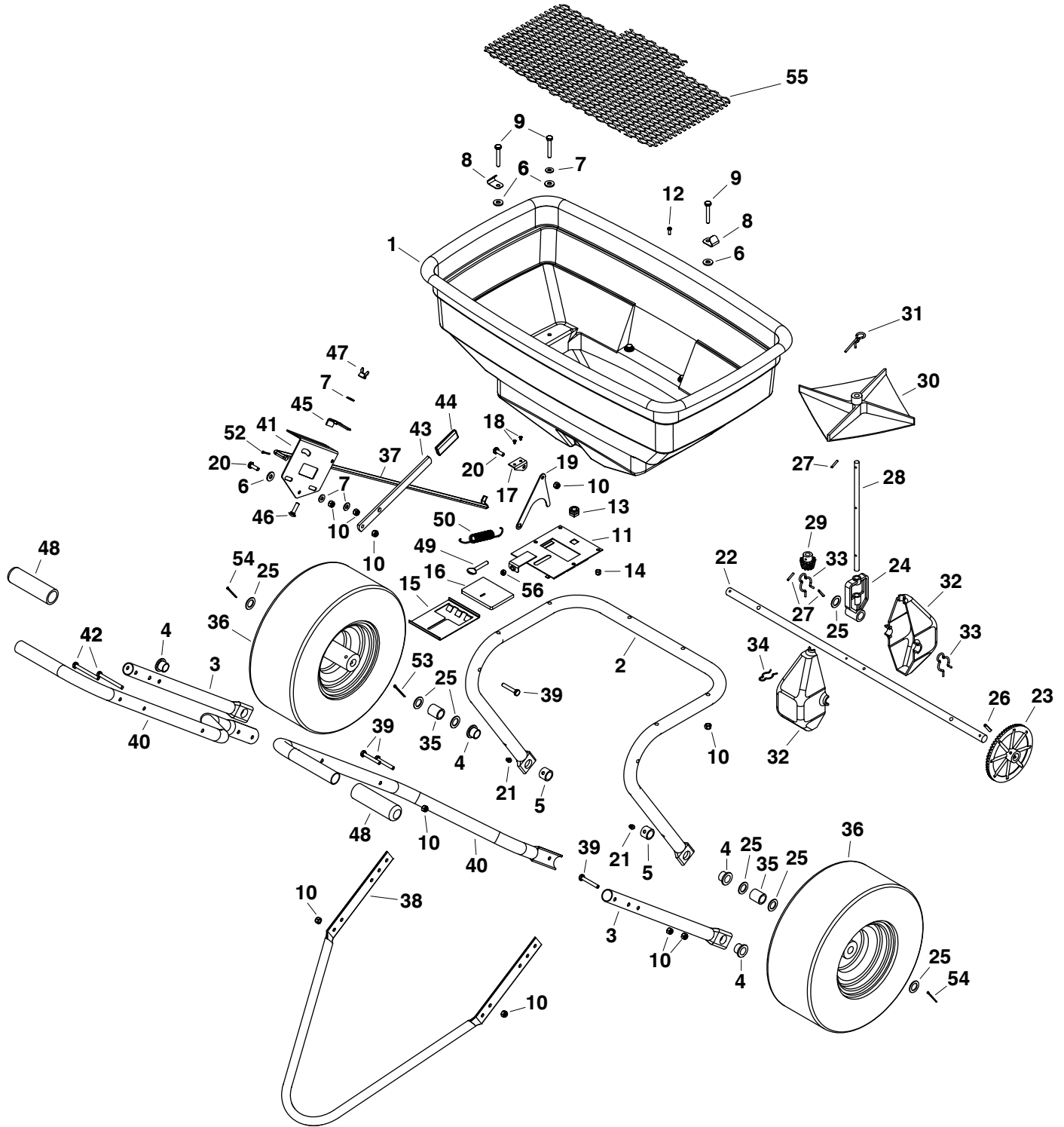


FIGURE 16

REPAIR PARTS FOR BROADCAST SPREADER MODEL 45-0382 AND 45-0405



REPAIR PARTS FOR BROADCAST SPREADER MODEL 45-0382 AND 45-0405

Ref. No.	Part No.	Qty.	Description	Ref. No.	Part No.	Qty.	Description
1	44466	1	Hopper, Spreader (125 lb.)	29	47205	1	Gear, Small
2	48842	1	Tube, Frame (45-0382)	30	4367	1	Impeller
	48842SS	1	Tube, Frame (45-0405)	31	48934	1	Agitator, Hairpin
3	25755	2	Handle, Lower (45-0382)	32	47212	2	Housing, Large Gear
	25755SS	2	Handle, Lower (45-0405)	33	49897	2	Hairpin, Clip Large
4	741-0249	4	Bearing, Flanged	34	49898	1	Hairpin, Clip Small
5	49910	2	Spacer, Axle Tube ss	35	49930	2	Spacer, Tube
6	1543-69	7	Washer, Nylon	36	49907	2	Wheel, Poly 5/8 in. ID x 13-5.00
7	49890	7	Washer, 1/4 in. Std. ss	37	49902	1	Flow Control Rod
8	25672	2	Clip	38	25762	1	Tube Stand (45-0382)
9	49892	6	Bolt, Hex 1/4-20 x 1-3/4 ss		25762SS	1	Tube Stand (45-0405)
10	49891	19	Nut, Hex 1/4-20 Nylock ss	39	49909	8	Bolt, Hex 1/4-20 x 1-1/2 in.
11	65457	1	Weldment, Guide Closure	40	25761	2	Handle, Upper (45-0382)
12	49894	4	Bolt, Slot Truss 10-32 x 1/2 in. ss		25761SS	2	Handle, Upper (45-0405)
13	44285	1	Bushing, Hopper	41	24855	1	Flow Control Bracket
14	49895	4	Hex Nut, 10-32 Nylock ss	42	49908	3	Bolt, Hex 1/4-20 x 2-1/2 in. ss
15	25757	1	Pattern, Plate	43	25760	1	Lever, Flow Control
16	23533	1	Closure, Plate	44	43848	1	Grip, Control Arm
17	25917	1	Slide Gate Angle Bracket ss	45	25763	1	Stop, Adjustable ss
18	43882	2	Rivet, POP ss 3/16 in.	46	49903	1	Bolt, Carr. 1/4-20 x 3/4 in.
19	25758	1	Link, Flow Control ss	47	47141	1	Nut, Wing 1/4-20 Nylon
20	40199	2	Bolt, Hex 1/4-20 x 3/4 in. ss	48	49904	2	Grip, Handle
21	49798	2	Fitting, Grease 1/4 in.	49	49931	1	Screw, Thumb 1/4-20 x 1-1/4 in.
22	25759	1	Shaft, Axle Spreader ss	50	49901	1	Spring, ss
23	47209	1	Gear, Large	52	142	1	Pin, Cotter 1/8 x 3/4 in.
24	47204	1	Yoke, Large	53	40249	1	Pin, Cotter 5/32 x 2 in.
25	49899	7	Washer, Flat 5/8 in. ID x 1 in. OD	54	49911	2	Pin, Cotter 9/64 x 1-1/2 in.
26	43659	1	Spring, Pin, 3/16 x 1 in.	55	47441	1	Screen, Spreader
27	46055	3	Spring, Pin 1/8 x 1 in.	56	40520	1	Nut, Nylon
28	49896	1	Shaft, Impeller ss		49905	1	Owners Manual (Not Shown)

SpeedEPart *the fastest way to purchase parts* www.speedepart.com

For Agri Fab Discount Parts Call 606-678-9623 or 606-561-4983

SpeedEPart *the fastest way to purchase parts* www.speedepart.com

REPAIR PARTS

Agri-Fab, Inc.
809 South Hamilton
Sullivan, IL 61951
217-728-8388
www.agri-fab.com